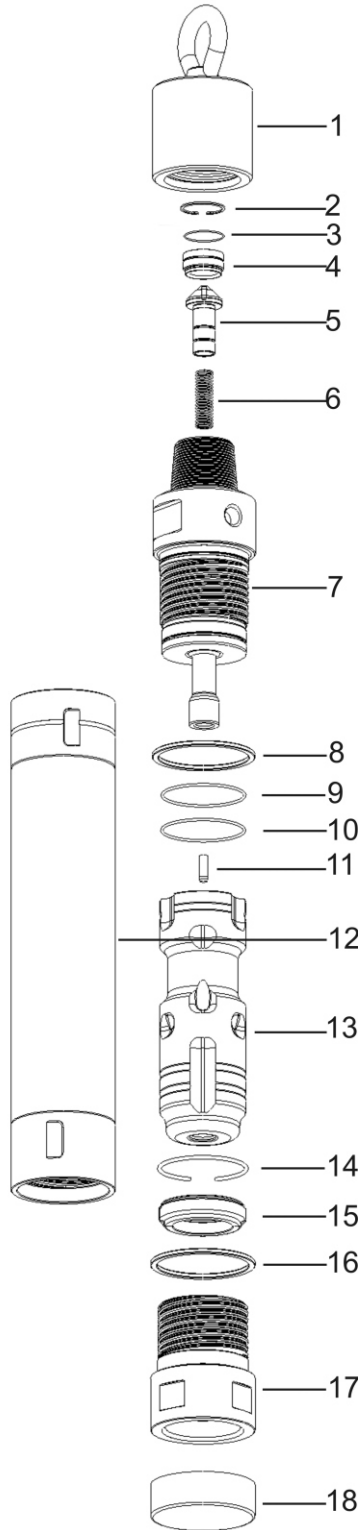


DOMINATOR 1000



SPECIFICATION

HAMMER TYPE	DOMINATOR 1000
PART NUMBER	600248
SHANK	SANDVIK MISSION SD10
TOP THREAD	6 .5/8" API REG PIN
WEIGHT	367 Kg
OUTSIDE DIAMETER	230mm (9.055")
MAKE UP LENGTH	1390mm (54.724")
RECOMMENDED MINIMUM THRUST	1500 Kg (3400 lbs)
RECOMMENDED MAXIMUM THRUST	3500 Kg (7700 lbs)

SPARE PARTS

HAMMER TYPE		DOMINATOR 1000		
		SD10		
MODEL NUMBER		600248	SK	RK
ITEM DESCRIPTION		PART NUMBER	Contents	
			Quantities	
1	Lifting cap	602354	-	-
2	Circlip	777001	2	2
3	O'ring	768133	2	2
4	NRV seat	602286	-	1
5	NR valve	602288	-	1
6	NRV spring	760055	2	2
7	Adaptor assy	603429	-	-
8	Top adaptor spacer	603432	1	1
9	O Ring	768172	2	2
10	O Ring	768172	2	2
11	Bleed Plug Blank	602499	-	-
	Bleed Plug 3mm	602500	-	-
	Bleed Plug 4mm	602501	-	-
	Bleed Plug 5mm	602502	-	-
	Bleed Plug 6mm	602503	-	-
	Bleed Plug 8mm	602874	-	-
12	Cylinder	603434	-	-
13	Piston	603433	-	-
14	Snap ring	783040	2	2
15	Bit retaining ring	603435	-	1
16	Chuck spacer	603432	1	1
17	Chuck	603436	-	1
18	Cap	741049	-	-

SK	Service Kit	SK29
RK	Repair Kit	RK50

Foot valve	603186
F/V tool - body	603188
F/V tool - pusher	603187

AIR CONSUMPTION

DOMINATOR 1000															
AIR PRESSURE		AIR CONSUMPTION													
		BLANK PLUG		3mm		4mm		5mm		6mm		8mm		NO PLUG	
BAR	PSI	CFM	M ³ /MIN	CFM	M ³ /MIN	CFM	M ³ /MIN	CFM	M ³ /MIN	CFM	M ³ /MIN	CFM	M ³ /MIN	CFM	M ³ /MIN
10.5	150	850	24	875	24.8	910	25.7	935	26.5	955	27	1015	28.7	1085	30.7
14	200	1130	32	1165	33	1205	34.1	1235	35	1265	35.8	1345	38.1	1435	40.6
17	250	1425	40.3	1465	41.5	1520	43	1555	44	1595	45.1	1685	47.7	1800	50.9
21	300	1710	48.5	1760	49.8	1825	51.6	1865	52.8	1910	54	2020	57.2	2160	61.1
24	350	2000	56.6	2060	58.3	2130	60.3	2180	61.7	2230	63	2360	66.8	2520	71.3