

DS
DRILLING SUPPLY

EXPLO-TRAC



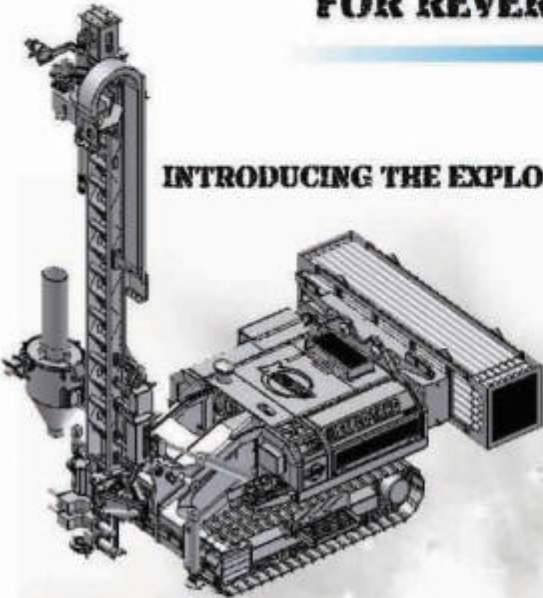
**HIGH PERFORMANCE REVERSE
CIRCULATION DRILL RIG**

EXPLO-TRAC



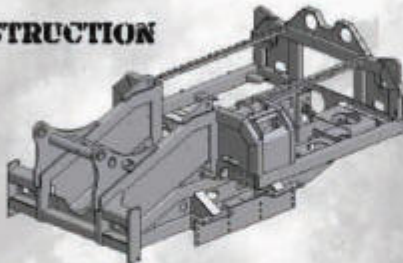
A VERSATILE, HIGH PERFORMANCE EQUIPMENT FOR REVERSE CIRCULATION DRILLING

INTRODUCING THE EXPLO-TRAC...



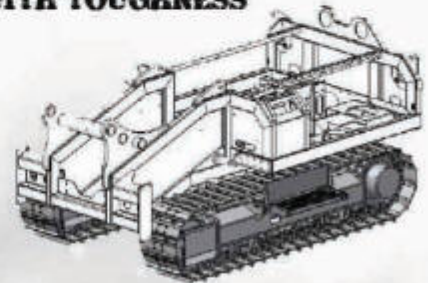
With the new Explo-Trac, once again raises performance to a higher level. The Explo-Trac features sturdy components to combine productivity and durability. Enhanced pull back force, greater traction and a large variety of options make the Explo-Trac the smartest choice.

STURDY CONSTRUCTION



Novamac's tradition is to build long life service equipment. The Explo-Trac is no exception. It features a durably constructed chassis. The rugged and unique design offers superior resistance and maximum flexibility for maintenance.

TRACTION WITH TOUGHNESS



Move to the drilling site with confidence! The Explo-Trac is powered by a strong undercarriage track frame that delivers 25 000 lbs of traction.

GREATER STABILITY



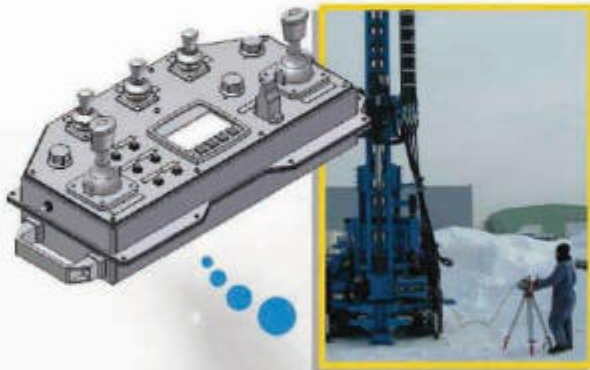
Accurate drilling...needs stability. The Explo-Trac features 3 levelling legs to stabilize the equipment in rough terrains.



EXPLO-TRAC

DS
MEMBER OF EOCOTY GROUP

POWER AND TOUGHNESS...



SAFER WORKING ENVIRONMENT

If you are looking for a flexible working environment, the Explo-Trac is right for you! The ergonomic, fully electric and rugged control panel offers a safer environment. As well as controlling the movements and the drilling operations, many other options (such as engine data) can be viewed from the screen of the remote control.



Be prepared to explore new paths at any time. The Explo-Trac features powerful lights for work shifts at night!

PERSONALIZING YOUR EQUIPMENT WITH A CHOICE OF OPTIONS

Build your own Explo-Trac! Novamac now offers a wide range of options including a rod charger, a robot arm, a mud pump and much more... Just select available accessories to suit your specific needs. Consult factory to get the listing of these options.



A heavy-duty pipe rack.



Rubber tracks.

A word about this brochure :

We have tried to make this brochure as comprehensive and factual as possible. However, since the time of printing, some information may have been updated.

RELIABLE AND QUALITY COMPONENTS



High power batteries for engine ignition.



Automatic greasing for the heads.



An exclusive air valve activated hydraulically.



Efficient lubricator for the hammer.



EXPLO-TRAC



POWER AND TOUGHNESS...

EASY MAINTENANCE...ANYWHERE

Tough doesn't have to be rough... The compact design doesn't limit the maintenance. Accessible components, lateral doors, removable bottom wear plates are amongst the few examples that make maintenance easier.



Compact design no longer means restricting the access for maintenance.



Rigid lateral doors coupled with air cylinders.

RIGID FEED MAST

From its unique conception, the Explo-Trac feed system provides superior rigidity resulting in high drilling accuracy. The ultra rigid feed boom has been specifically conceived to provide a long lasting service.



1 A winch of a capacity of 1200 lbs and a sturdy chain adjuster.



2 A drill head producing a torque of 6000 lbs-ft.



3 A sturdy hose carrier.



4 A unique feed boom for accurate drilling.



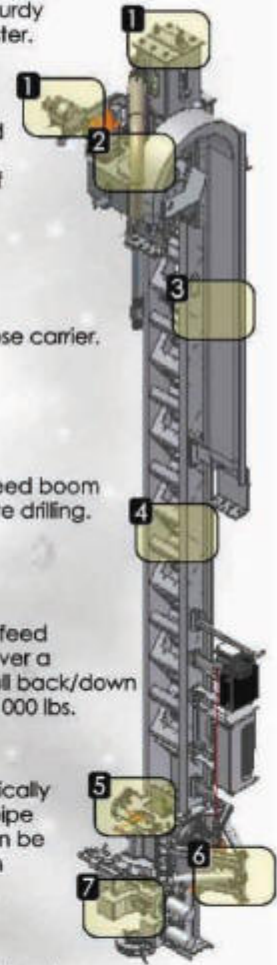
5 Two linked feed motors deliver a nominal pull back/down force of 35 000 lbs.



6 An hydraulically powered pipe wrench can be installed on demand.



7 A solid break-out system couple with a clamp and a guide.



EXPLO-TRAC



POWER AND TOUGHNESS...

SAMPLING COLLECTOR

Reverse circulation sampling by vortex energy.

Designed for easy maintenance.

Wear plates for better performance life.



SMART DRILLING SYSTEM

Smarter than ever...The Explo-Trac features an advanced computer matched drilling system. The implemented close-loop regulates drill head pressure and flow to reach the rotation selected by the operator.



Computer assisted drilling system to maximize performance.

WATER INJECTION

Manufacturer	Cat pumps
Model	820
Type	Stainless steel piston pump
Pressure/flow	0-700 psi (0-4826 kPa) 0-9 gpm (0-34 L/min)
Revolution	0-800 rpm
Filtration system	40 micron



HYDRAULIC SYSTEM

Main hydraulic system	2 piston pumps delivering 60 gpm (227,1/min) at 5000 psi (34 474 kPa)
Aux. hydraulic system	1 gear pump of 15 gpm (56,8 L/min) at 3000 psi (20 684 kPa)
Hydraulic tank	Capacity of 60 U.S. gal (227,1 L)
Filtration system	5 micron
Hose and fittings	Seal lock type
Integrated safety	Overheating, low fluid levels



ENGINE

Manufacturer	Cummins
Model	Electronic turbocharged diesel engine QSB4.5
Number of cylinders	4
Power	150 hp (113 kW) at 2300 rpm
Fuel consumption	2,67 U.S. gal/hr (11,2L/hr)
Filtration system	2 stages
Control panel	Integrated safety panel 24 Volts
Emission certification	U.S. EPA Tier 3, EU Stage III



EXPLO-TRAC

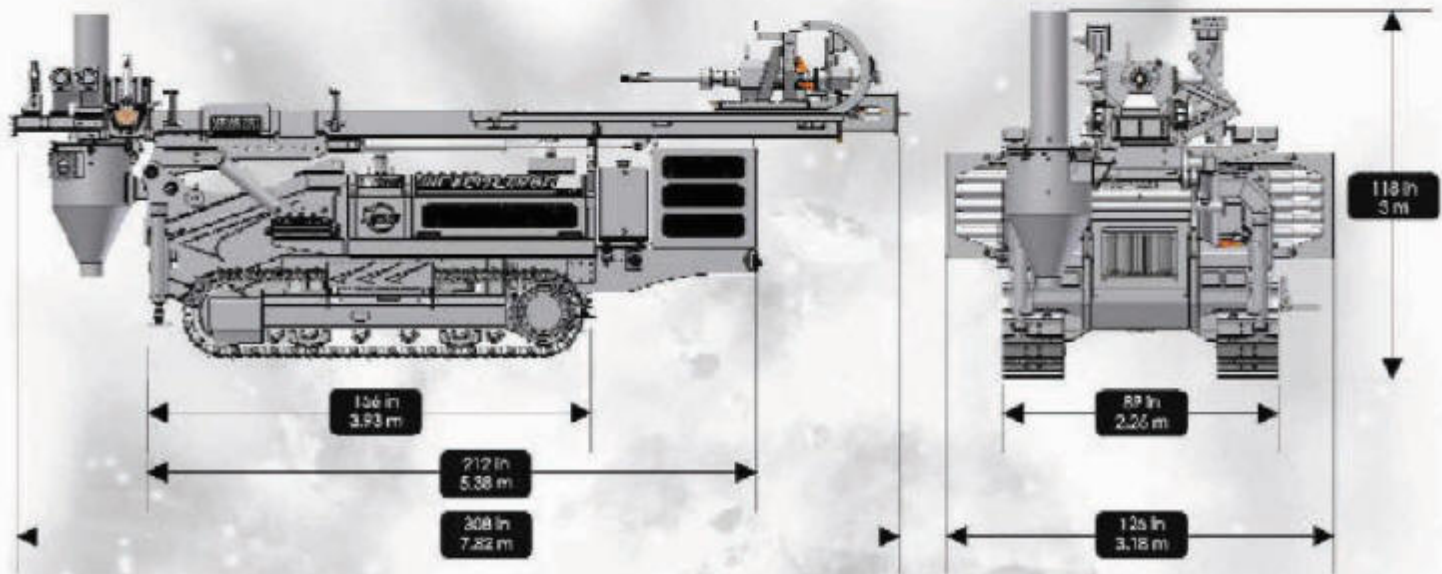
DS
MEMBER OF LIDDY GROUP

POWER AND TOUGHNESS...

DIMENSIONS AND WEIGHT

Weight : 27 000 lbs (12 250 kg)
Ground clearance : 12 in (0.3 m)

Specifications subject to change without notice. Some items shown may be optional at extra cost.



DURABLE DRILL RIG WITH A LASTING VALUE.....

DS

DRILLING SUPPLY

Sales Department Drilling Supply Co
5175 Rue Pare, #108
Montreal, QC, Canada, H4P1P7
Tel: 514-798-2444
Fax: 514-798-4905
www.drillingsupply.com